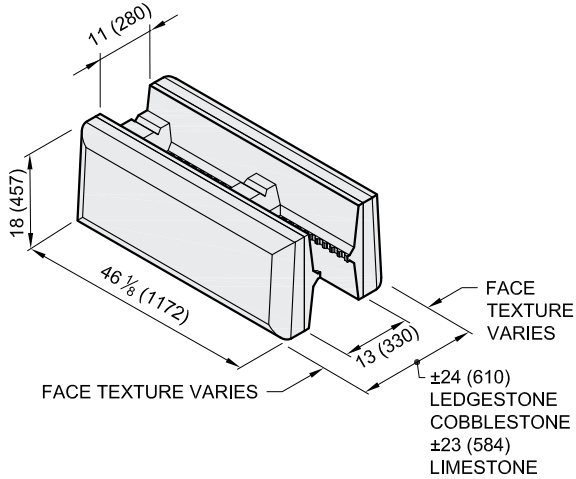


RETAINING BLOCKS

Block Library

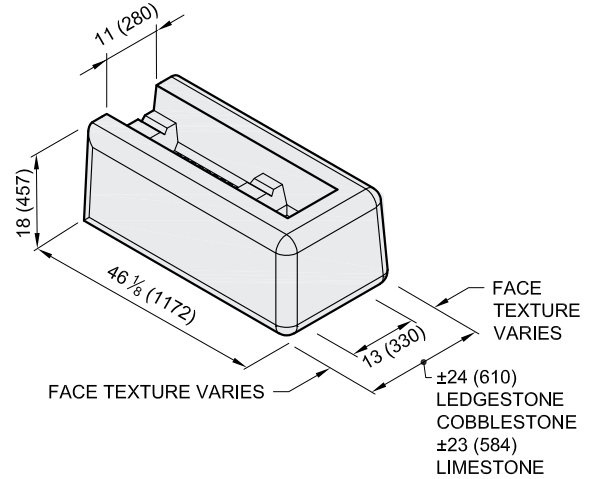
F-HC HOLLOW CORE

Face Texture:	Cobble / Limestone	Ledgestone
Block Weight:	913 lb (414 kg)	770 lb (349 kg)
Block Volume:	6.38 ft ³ (0.181 m ³)	5.38 ft ³ (0.152 m ³)
Infill Volume:	4.09 ft ³ (0.116 m ³)	



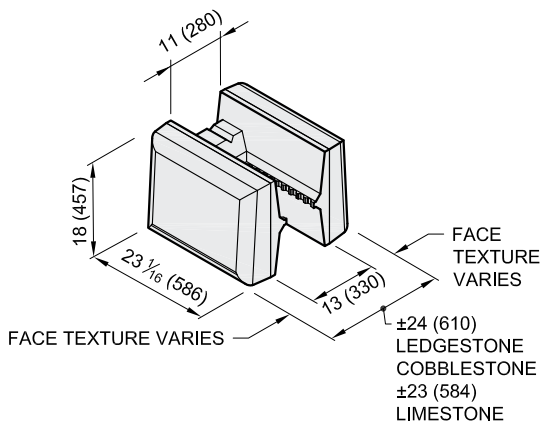
F-CHC CORNER HOLLOW CORE

Face Texture:	Cobble / Limestone	Ledgestone
Block Weight:	1002 lb (455 kg)	972 lb (441 kg)
Block Volume:	7.01 ft ³ (0.198 m ³)	6.80 ft ³ (0.192 m ³)
Infill Volume:	3.37 ft ³ (0.095 m ³)	



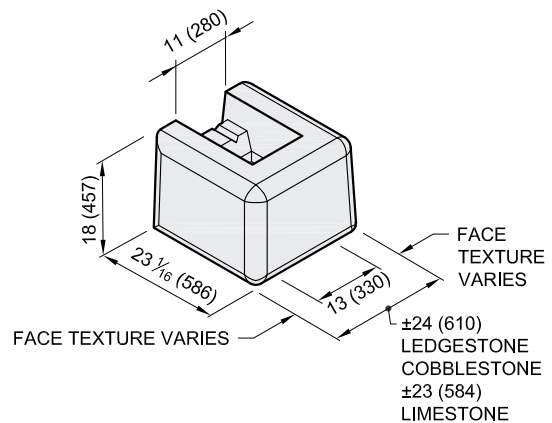
F-HHC HALF HOLLOW CORE

Face Texture:	Cobble / Limestone	Ledgestone
Block Weight:	456 lb (207 kg)	385 lb (175 kg)
Block Volume:	3.19 ft ³ (0.090 m ³)	2.69 ft ³ (0.076 m ³)
Infill Volume:	2.04 ft ³ (0.058 m ³)	



F-HCHC HALF CORNER HOLLOW CORE

Face Texture:	Cobble / Limestone	Ledgestone
Block Weight:	545 lb (247 kg)	505 lb (229 kg)
Block Volume:	3.81 ft ³ (0.108 m ³)	3.53 ft ³ (0.100 m ³)
Infill Volume:	1.31 ft ³ (0.037 m ³)	



1. Units for dimensions are inches (mm), typical unless noted otherwise.
2. Confirm block production with licensed Redi-Rock manufacturer.
3. Architectural faces on the blocks have varying texture.
4. Average block weights shown. Actual block volumes and weights may vary.
5. Weights are based upon a concrete density of 143 lb/ft³ (2291 kg/m³).