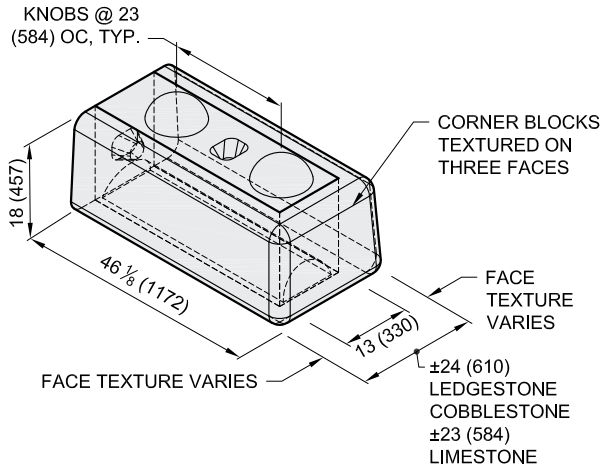


FREESTANDING BLOCKS

# Block Library

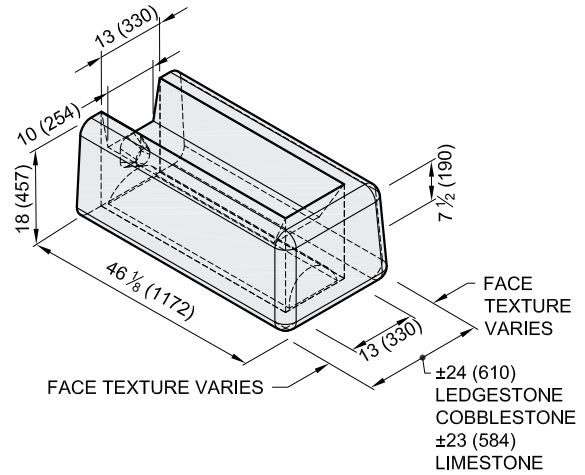
## F-CM CORNER MIDDLE

Face Texture:	Limestone	Cobblestone	Ledgestone
Block Weight:	1370 lb (620kg)	1390 lb (630 kg)	1360 lb (617kg)
Block Volume:	9.6 ft <sup>3</sup> (0.27m <sup>3</sup> )	9.7 ft <sup>3</sup> (0.28m <sup>3</sup> )	9.5 ft <sup>3</sup> (0.27m <sup>3</sup> )



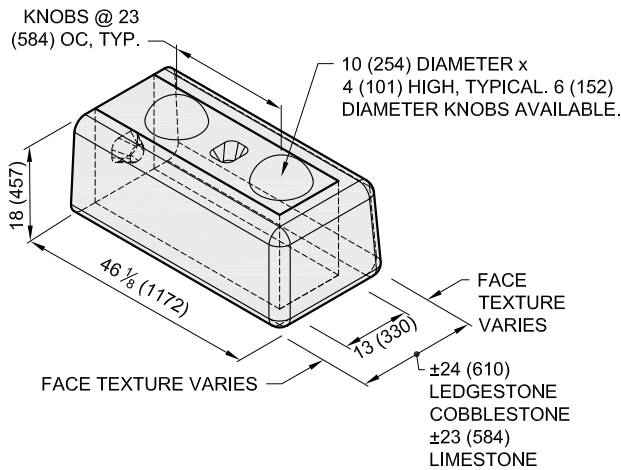
## F-CG CORNER GARDEN TOP

Face Texture:	Limestone	Cobblestone	Ledgestone
Block Weight:	1070 lb (480kg)	1080 lb (490 kg)	1060 lb (480kg)
Block Volume:	7.5 ft <sup>3</sup> (0.21m <sup>3</sup> )	7.6 ft <sup>3</sup> (0.22m <sup>3</sup> )	7.4 ft <sup>3</sup> (0.21m <sup>3</sup> )



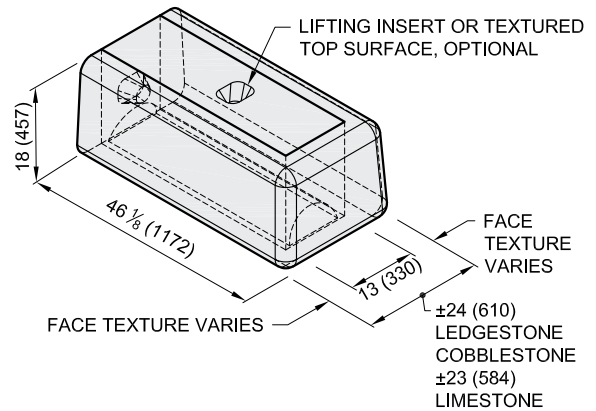
## F-CB CORNER BOTTOM

Face Texture:	Limestone	Cobblestone	Ledgestone
Block Weight:	1490 lb (680kg)	1510 lb (680 kg)	1480 lb (670kg)
Block Volume:	10.4 ft <sup>3</sup> (0.30m <sup>3</sup> )	10.5 ft <sup>3</sup> (0.30m <sup>3</sup> )	10.3 ft <sup>3</sup> (0.29m <sup>3</sup> )



## F-CT CORNER TOP

Face Texture:	Limestone	Cobblestone	Ledgestone
Block Weight:	1340 lb (610kg)	1360 lb (620 kg)	1330 lb (600kg)
Block Volume:	9.4 ft <sup>3</sup> (0.26m <sup>3</sup> )	9.5 ft <sup>3</sup> (0.27m <sup>3</sup> )	9.3 ft <sup>3</sup> (0.26m <sup>3</sup> )



- Units for dimensions are inches (mm), typical unless noted otherwise.
- Block production varies with each licensed Redi-Rock manufacturer. Confirm availability before Specifying or Ordering.
- Architectural faces on the blocks have varying texture.

- Actual block volumes and weights may vary.
- Weights are based upon a concrete density of 143 lb/ft<sup>3</sup> (2291 kg/m<sup>3</sup>).
- Knobs are typically 10" (254mm) diameter by 4" (102 mm) tall. Smaller knobs are available.