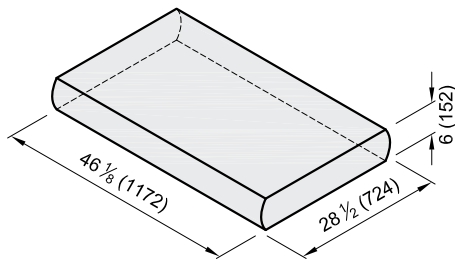


ACCESSORIES (CAP AND STEP BLOCKS)

Block Library

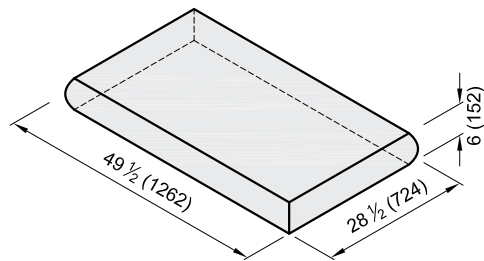
A-2SC TWO-SIDED

Block Weight: 631 lb (286 kg)
 Block Volume: 4.42 ft³ (0.125 m³)



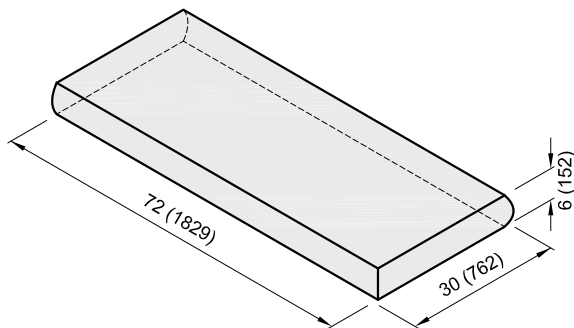
A-4SC FOUR-SIDED

Block Weight: 665 lb (302 kg)
 Block Volume: 4.65 ft³ (0.132 m³)



A-3SC72 THREE-SIDED 72"

Block Weight: 1045 lb (474 kg)
 Block Volume: 7.3 ft³ (0.21 m³)



1. Units for dimensions are inches (mm), typical unless noted otherwise.
2. Block production varies with each licensed Redi-Rock manufacturer. Confirm availability before Specifying or Ordering.

3. Actual block volumes and weights may vary.
4. Weights are based upon a concrete density of 143 lb/ft³ (2291 kg/m³).