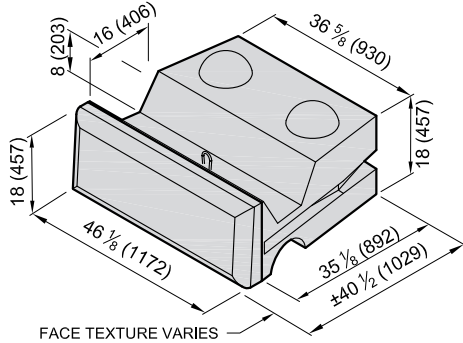


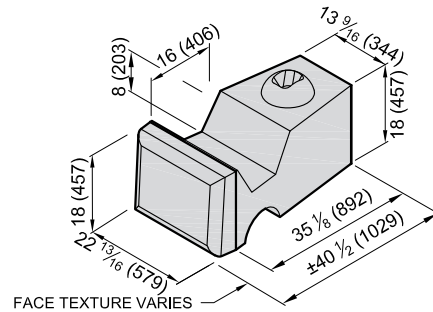
41" (1030mm) PLANTER

Face Texture:	Cobble / Limestone	Ledgestone
Block Weight:	2005 lb (910 kg)	1934 lb (877 kg)
Block Volume:	14.02 ft ³ (0.40 m ³)	13.53 ft ³ (0.38 m ³)
Center of Gravity:	19.1" (485 mm)	18.4" (468 mm)



41" (1030mm) HALF PLANTER

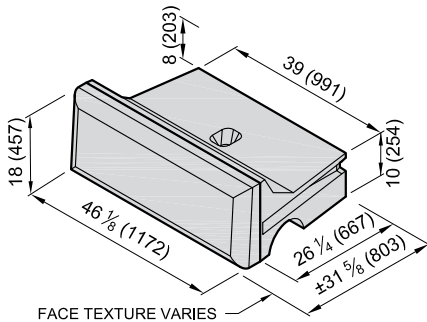
Face Texture:	Cobble / Limestone	Ledgestone
Block Weight:	878 lb (398 kg)	843 lb (382 kg)
Block Volume:	6.14 ft ³ (0.17 m ³)	5.89 ft ³ (0.17 m ³)
Center of Gravity:	20.2" (513 mm)	19.5" (495 mm)



MODIFIED TOP

Face Texture:	Cobble / Limestone	Ledgestone
Block Weight:	1198 lb (543 kg)	1127 lb (511 kg)
Block Volume:	8.38 ft ³ (0.24 m ³)	7.88 ft ³ (0.22 m ³)
Center of Gravity:	17.9" (455 mm)	17.2" (438 mm)

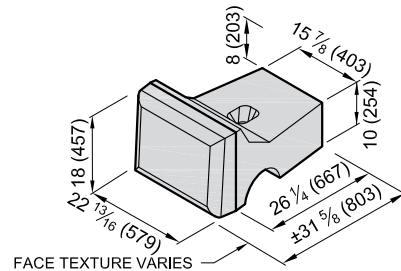
SPECIALITY BLOCK



MODIFIED HALF TOP

Face Texture:	Cobble / Limestone	Ledgestone
Block Weight:	708 lb (321 kg)	637 lb (289 kg)
Block Volume:	4.95 ft ³ (0.14 m ³)	4.45 ft ³ (0.13 m ³)
Center of Gravity:	20.7" (527 mm)	19.8" (504 mm)

SPECIALITY BLOCK



1. Units for dimensions are inches (mm), typical unless noted otherwise.
2. Confirm block production with licensed Redi-Rock manufacturer.
3. Center of Gravity is measured from the back of block.
4. Actual block volumes and weights may vary.
5. Weights are based upon a concrete density of 143 lb/ft³ (2291kg/m³).

6. Half blocks contain a fork slot on only one side of the block.
7. Interface Shear knobs are typically 10" (254 mm) diameter by 4" (102 mm) tall.

DRAWN BY:	BWL
APPROVED BY:	JRJ
DATE:	3JUN2015
SHEET:	7 of 8

TITLE:	Block Library RETAINING BLOCKS
FILE:	Redi-Rock Block Library 060315.dwg

REDI-ROCK®
 05481 US 31 SOUTH, CHARLEVOIX, MI 49720
 (866) 222-8400 ext 3010 • engineering@redi-rock.com
 www.redi-rock.com