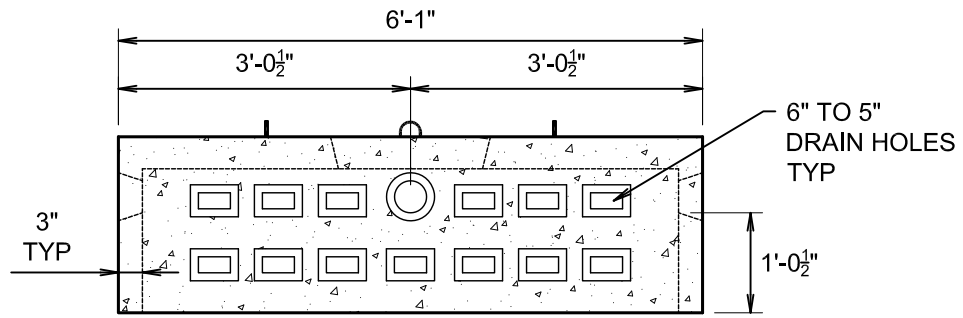


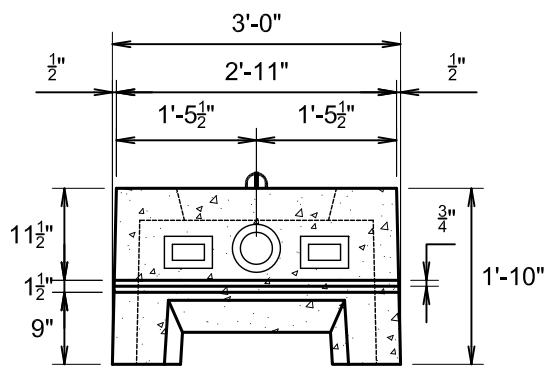
**PLAN VIEW**

SCALE: 1/2"=1'-0"



**FRONT VIEW**

SCALE: 1/2"=1'-0"



**SIDE VIEW**

SCALE: 1/2"=1'-0"

**NOTES:**

- 1. CONCRETE: 4,000 PSI MINIMUM AFTER 28 DAYS.
- 2. H-20 LOADING.

**LEACHING CHAMBER  
LC-6**



PRECAST / REDI ROCK SUPPLIER  
16 COUNTY STREET, BERKLEY, MA 02779

508-822-3311

DATE: 11/13/2020

PRODUCT #: As Shown

SCALE: As Shown

DRAWN BY: JRB