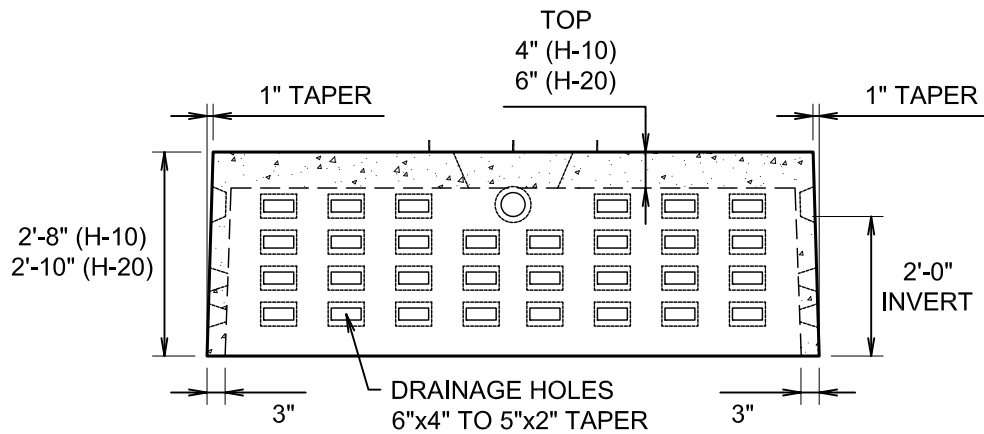


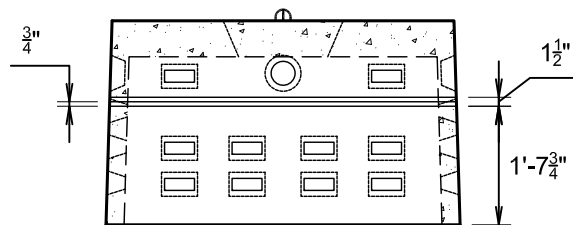
### PLAN VIEW

SCALE: 1/2"=1'-0"



### SECTION VIEW

SCALE: 3/8"=1'-0"



### END VIEW

SCALE: 3/8"=1'-0"

**NOTES:**

1. CONCRETE: 4,000 PSI MINIMUM AFTER 28 DAYS.
2. H-20 LOADING.
3. REINFORCED WITH 6X6X10 GAUGE WIRE MESH

**500 GALLON DRYWELL**



PRECAST / REDI ROCK SUPPLIER  
16 COUNTY STREET, BERKLEY, MA 02779

508-822-3311

DATE: 10/19/2020

PRODUCT #: DWS-500

SCALE: As Shown

DRAWN BY: JRB