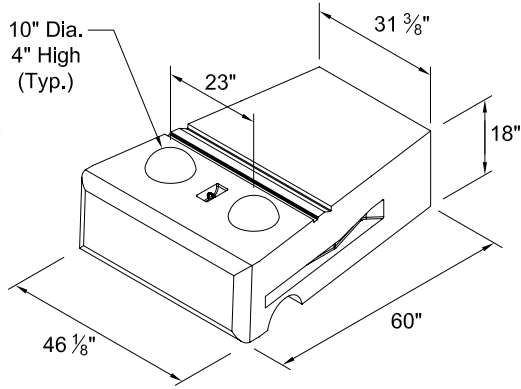


60" BLOCKS

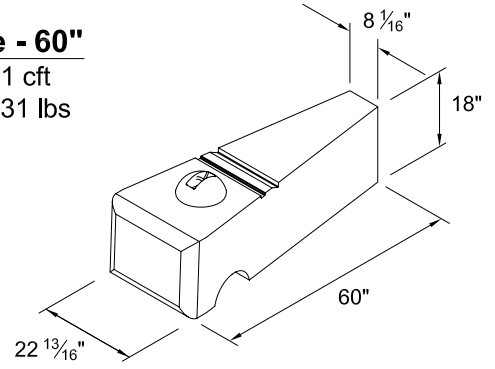
Middle - 60"

Volume = 23.0 cft
 Weight = ±3290 lbs
 C of G = 31.28"



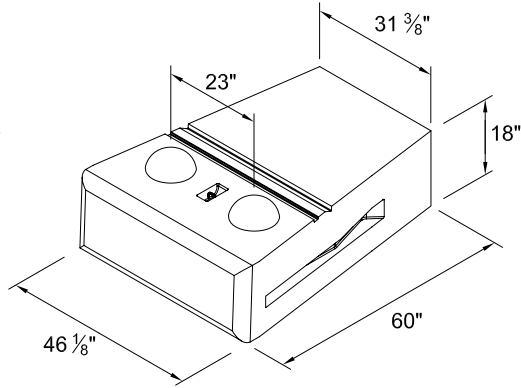
Half Middle - 60"

Volume = 9.31 cft
 Weight = ±1331 lbs



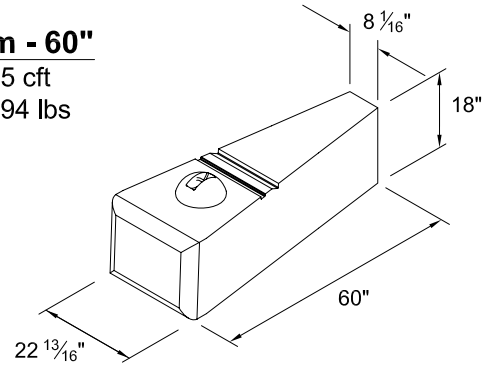
Bottom - 60"

Volume = 23.9 cft
 Weight = ±3420 lbs
 C of G = 31.90"



Half Bottom - 60"

Volume = 9.75 cft
 Weight = ±1394 lbs



NOTES:

The 60" block is typically used as a bottom block in a larger wall. See the 41" Series for additional blocks and steps.

Volume and Center of Gravity (C of G) calculations are based on the blocks as shown.

Center of Gravity is measured from the back of the block.

Half blocks may include a fork lift slot on one side.

Actual weights and volumes may vary.

Weight shown is based on 143 pcf concrete.

DRAWN BY J. JOHNSON	01/12/09	Redi-Rock® International, LLC	
CHECKED BY			
APPROVED BY		DRAWING FILE 60in Block Details 011209.dwg	REVISION ---
ISSUE DATE		SCALE NO SCALE	SHEET NO. 1 OF 1